



Alum-A-Pole

Pump Jack Scaffold

South Portland, ME

163 Thadeus Street
1-800-639-5042

Brewer, ME

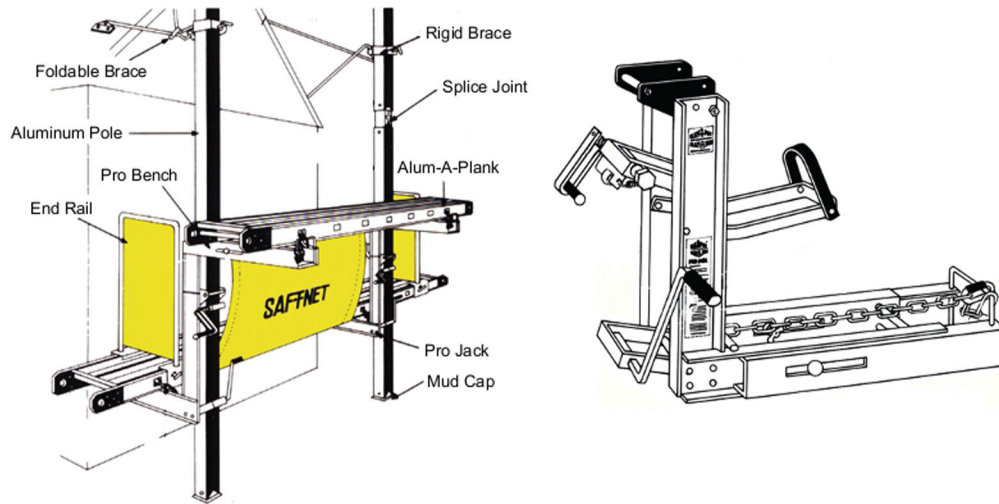
164 Greenpoint Road
1-866-678-1223

Condord, NH

243 Sheep Davis Road
1-888-701-1119

Shrewsbury, MA

14B Commerce Road
1-844-501-4400



Item#	Description	Weight lbs.
AP2424	Complete System 24"W x 24"H	492
AP2436	Complete System 24"W x 36"H	590
AP2448	Complete System 24"W x 48"H	642
AP3624	Complete System 36"W x 24"H	717
AP3636	Complete System 36"W x 36"H	843
AP4824	Complete System 48"W x 24"H	850
AP4836	Complete System 48"W x 36"H	979
AP4848	Complete System 48"W x 48"H	1075
AP/1412	Alum-A-Plank 14"W x 12'L	40
AP/1416	Alum-A-Plank 14"W x 16'L	51
AP/1420	Alum-A-Plank 14"W x 20'L	92
AP/1424	Alum-A-Plank 14"W x 24'L	109
AP/2012	Alum-A-Plank 20"W x 12'L	60
AP/2016	Alum-A-Plank 20"W x 16'L	65
AP/2024	Alum-A-Plank 20"W x 24'L	130
AP06	6' Aluminum Pole Section	13
AP12	12' Aluminum Pole Section	26
AP24	24' Aluminum Pole Section	52
AP/6JT	6' Splice Joint	9
AP/PB	Pro Bench	20
AP/PJ	Pro Jack	33
AP/FB	Foldable Brace	7
AP/RB	Rigid Brace	7
AP/ER	End Rail	11
AP/NETA	22' Safe-T-Net	7
AP/MC	Mud Cap	1